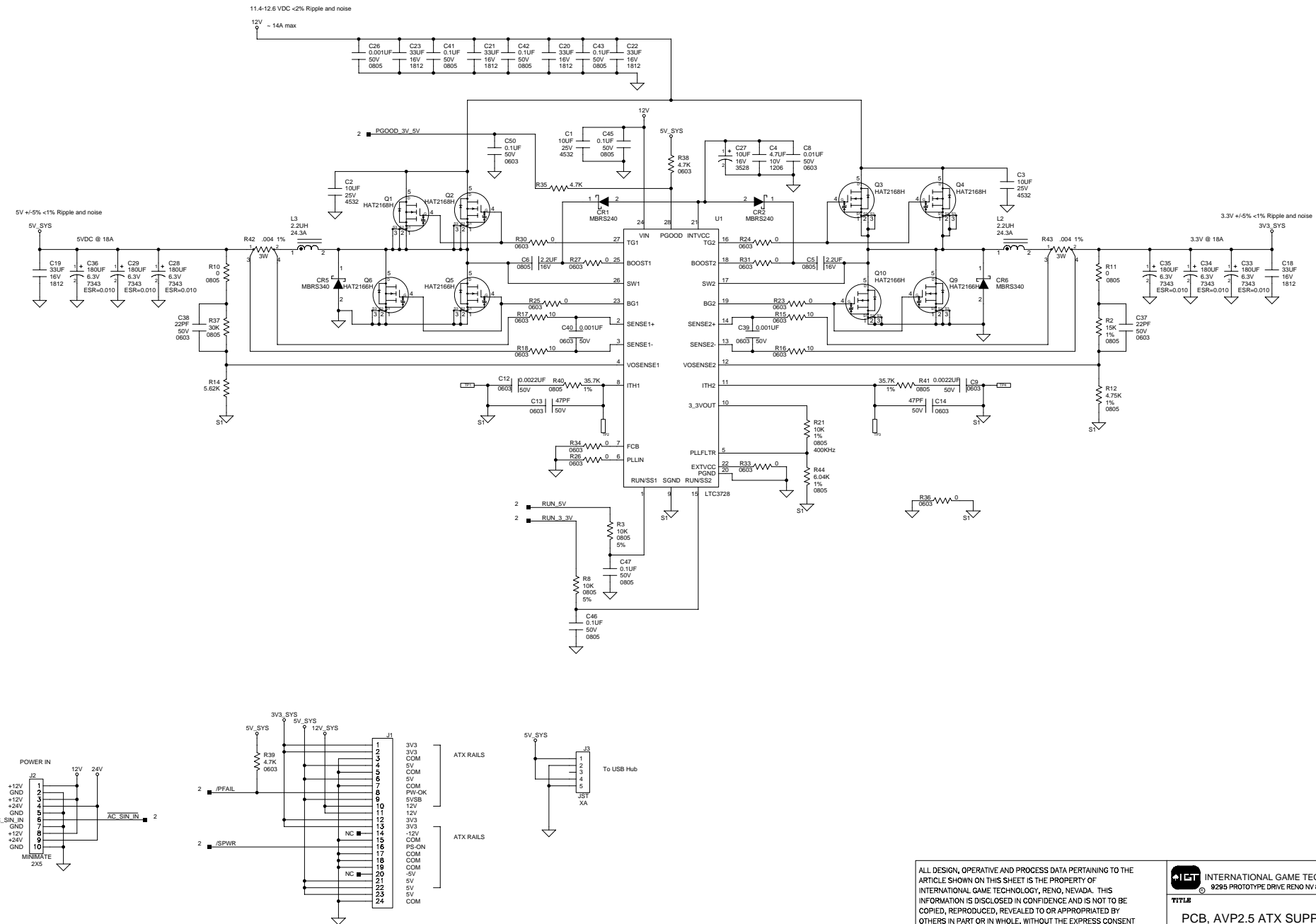


REVISIONS				
REV	ECO	DESCRIPTION	BY/DATE	CHK/DATE
EA	-	PROTOTYPE RELEASE	EFT/22MAY06	
EB	-	CHANGED J2 PINOUT	JLL/31JUL06	
EC	-	CHANGED R116 TO 0.01 OHM, ADDED C50	JLL/13DEC06	
A	13333	PRODUCTION RELEASE	JLL/23MAR07	RBP/23MAR07



ALL DESIGN, OPERATIVE AND PROCESS DATA PERTAINING TO THE ARTICLE SHOWN ON THIS SHEET IS THE PROPERTY OF INTERNATIONAL GAME TECHNOLOGY, RENO, NEVADA. THIS INFORMATION IS DISCLOSED IN CONFIDENCE AND IS NOT TO BE COPIED, REPRODUCED, REVEALED TO OR APPROPRIATED BY OTHERS IN PART OR IN WHOLE, WITHOUT THE EXPRESS CONSENT OF IGT. THIS PRINT IS LOANED AND RECIPIENT CONVEYANTS IT WILL NOT BE USED IN ANY MANNER DETRIMENTAL TO THE INTEREST OF IGT, AND MUST BE RETURNED ON DEMAND.

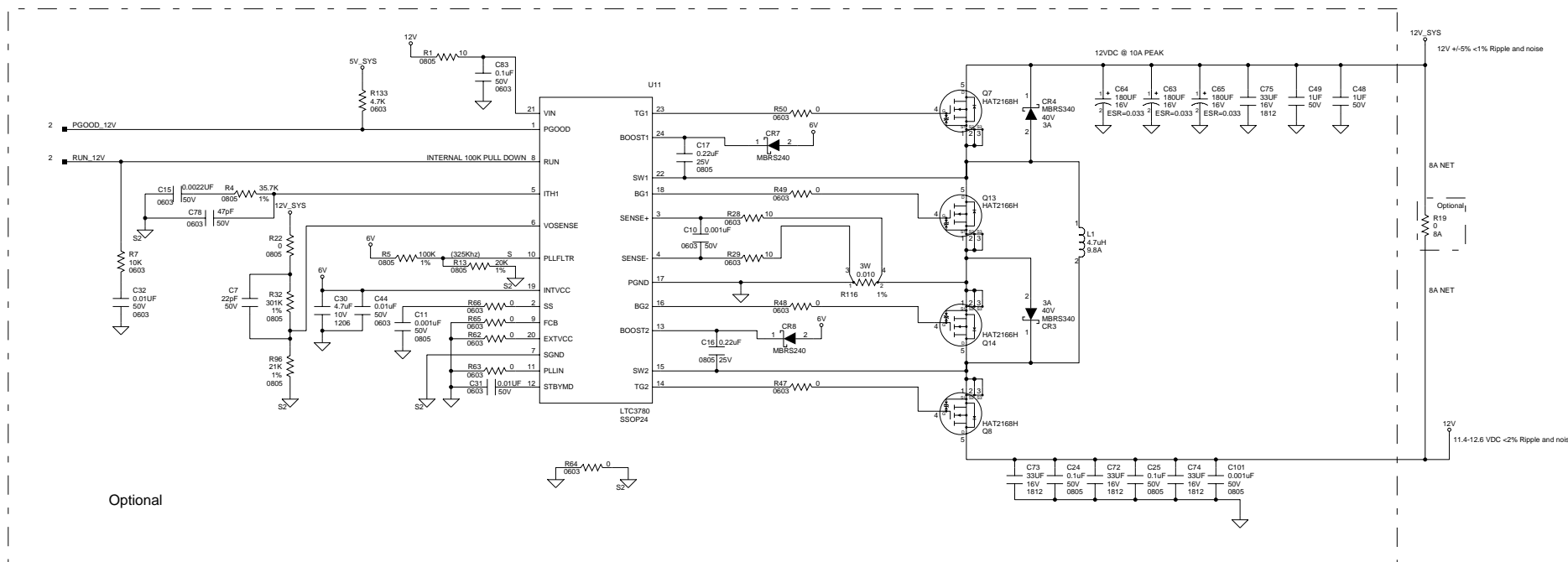
IGT INTERNATIONAL GAME TECHNOLOGY
 9295 PROTOTYPE DRIVE RENO NV 89511

TITLE
 PCB, AVP2.5 ATX SUPPLY SCH

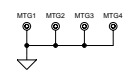
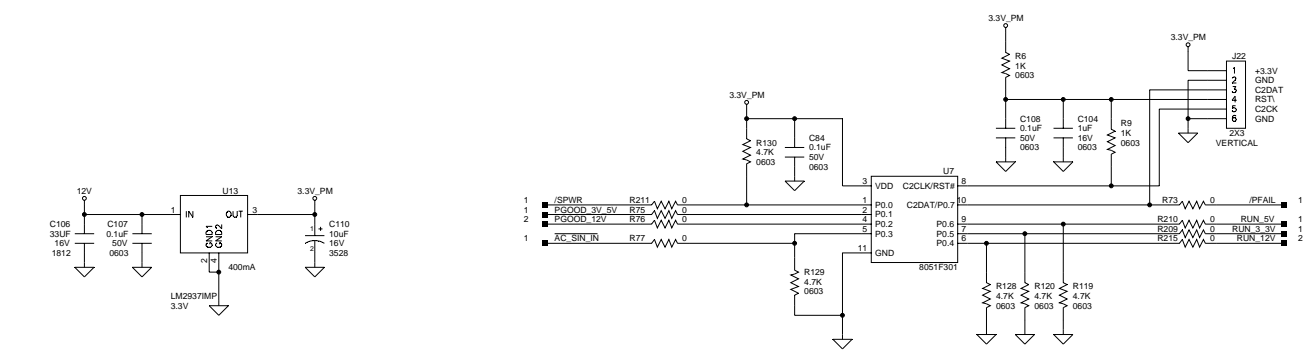
DWG. SIZE C	DWG. NO. 75831010W	REV LTR A
-----------------------	------------------------------	---------------------

DRAWN E. TAYLOR/JLL	DATE 22MAY06	CHECKED RBP	DATE 23MAR07	APPROVED J. LAPUTZ	SCALE NONE	SHT 1 OF 2
-------------------------------	------------------------	-----------------------	------------------------	------------------------------	----------------------	-------------------

DWG. NO. 75831010W



Optional



ALL DESIGN, OPERATIVE AND PROCESS DATA PERTAINING TO THE ARTICLE SHOWN ON THIS SHEET IS THE PROPERTY OF INTERNATIONAL GAME TECHNOLOGY, RENO, NEVADA. THIS INFORMATION IS DISCLOSED IN CONFIDENCE AND IS NOT TO BE COPIED, REPRODUCED, REVEALED TO OR APPROPRIATED BY OTHERS IN PART OR IN WHOLE, WITHOUT THE EXPRESS CONSENT OF IGT. THIS PRINT IS LOANED AND RECIPIENT CONVENANTS IT WILL NOT BE USED IN ANY MANNER DETRIMENTAL TO THE INTEREST OF IGT, AND MUST BE RETURNED ON DEMAND.

IGT INTERNATIONAL GAME TECHNOLOGY
 9296 PROTOTYPE DRIVE RENO NV 89521

TITLE
PCB, AVP2.5 ATX SUPPLY SCH

DWG. NO
75831010W

REV. LTR
A

DRAWN E. TAYLOR/JLL	DATE 13APR06	CHECKED RBP	DATE 23MAR07	APPROVED J. LAPUTZ	DATE 23MAR07	SCALE NONE	SHT 2 OF 2
------------------------	-----------------	----------------	-----------------	-----------------------	-----------------	---------------	------------